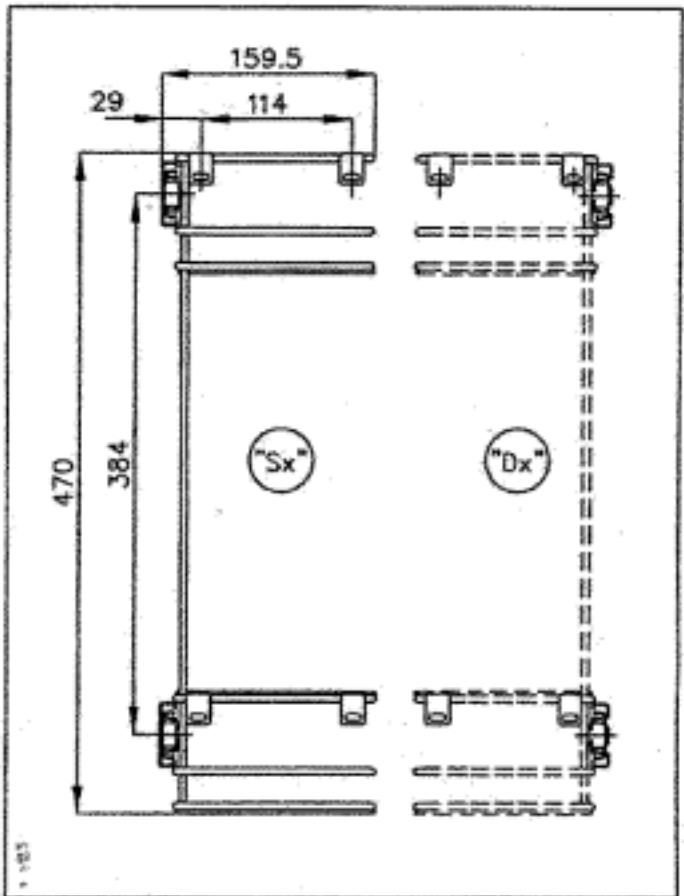
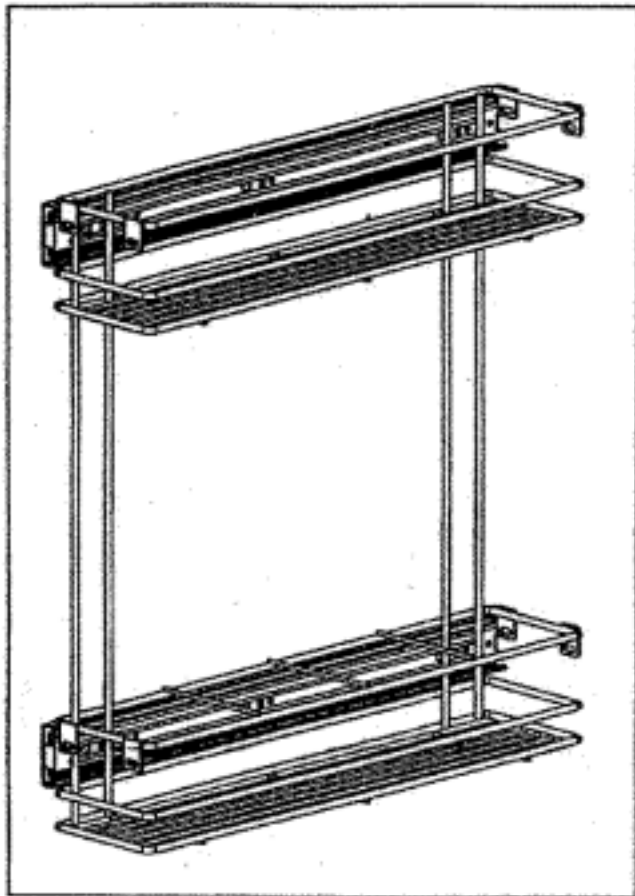


1 2 3 4 5 6

A

A



B

B

C

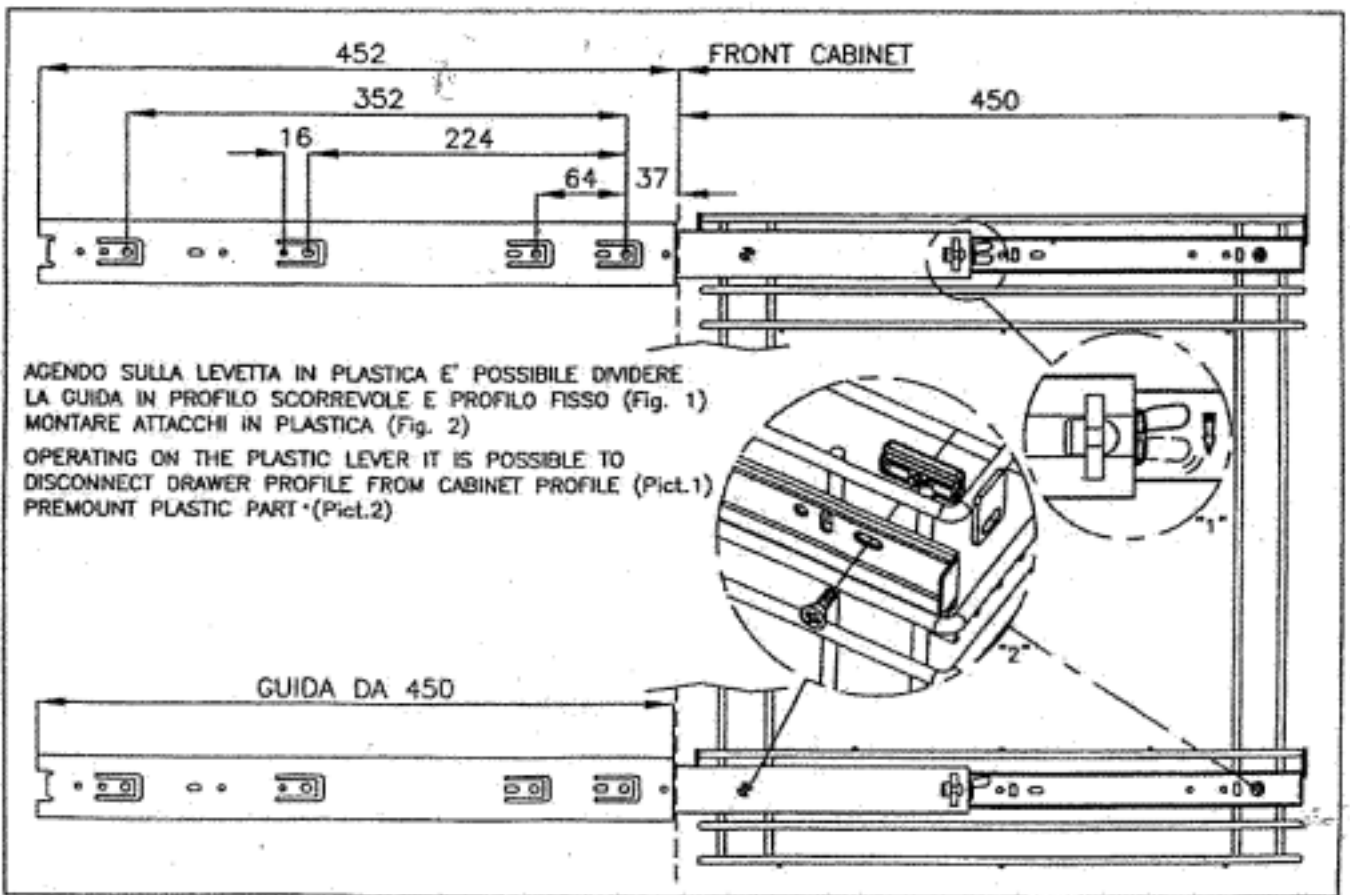
C

D

D

E

E



AGENDO SULLA LEVETTA IN PLASTICA E' POSSIBILE DIVIDERE LA GUIDA IN PROFILO SCORREVOLE E PROFILO FISSO (Fig. 1) MONTARE ATTACCHI IN PLASTICA (Fig. 2)
 OPERATING ON THE PLASTIC LEVER IT IS POSSIBLE TO DISCONNECT DRAWER PROFILE FROM CABINET PROFILE (Pict.1) PREMOUNT PLASTIC PART (Pict.2)

G

G

H

H

1 2 3 4 5 6