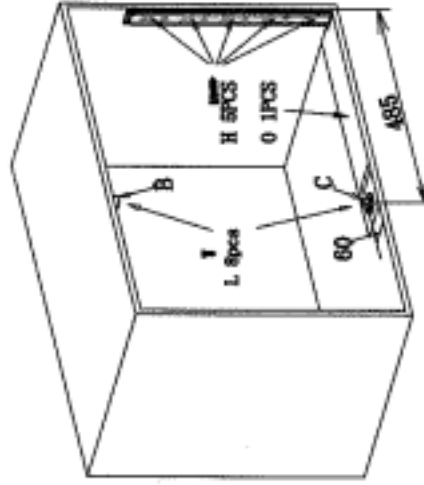


# Installation instruction(R)

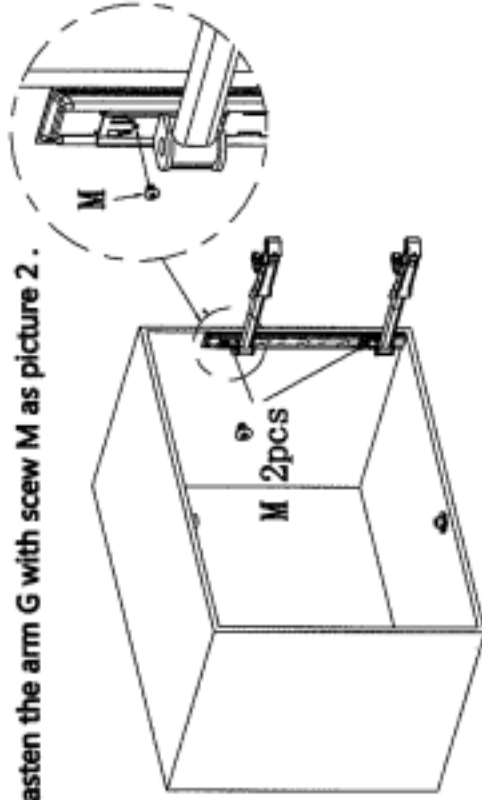
## Parts list

1. Align N with the edge of cabinet, and fasten it with screw H, fix B & C according to positioning card and fasten it with screw L.  
Remark: Screw H is longer than L.



Picture 1

2. Fasten the arm G with screw M as picture 2.



Picture 2



A 2pcs



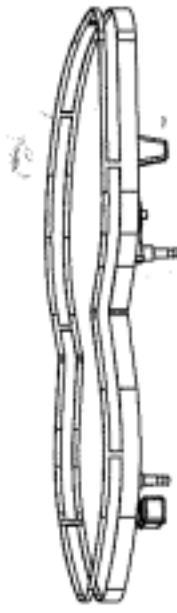
B 1pcs



C 1pcs



D 1pcs



E 1pcs

F 2pcs

1/23



G 2pcs



H 5pcs



I 2pcs



J 2pcs



K 2pcs



L 8pcs



M 2pcs



N 1pcs



O 1PCS

P 4PCS