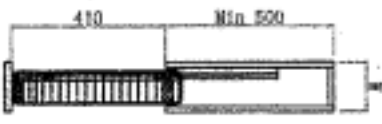


Narrow Drawer Basket Instruction

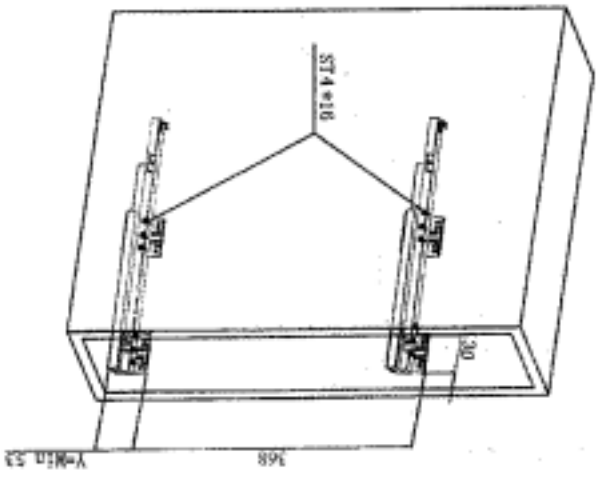
Name	T-Cabinet	Width@Depth@Height
Narrow Drawer Basket	150 mm	99@450@543
Narrow Drawer Basket	200 mm	148@450@413

Description	Picture	Quantity
ST 4*16 screw		16
M9*12 screw		4
fixing		4
slider		2 pcs

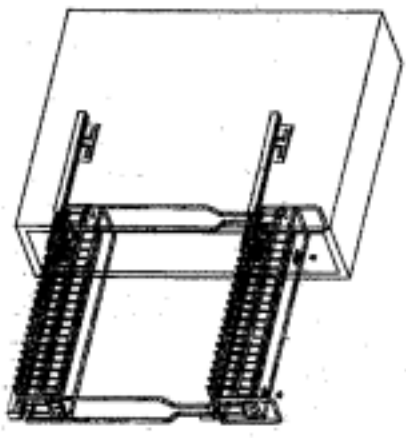


Attn: This instruction is fit for the right open, left open is symmetry.

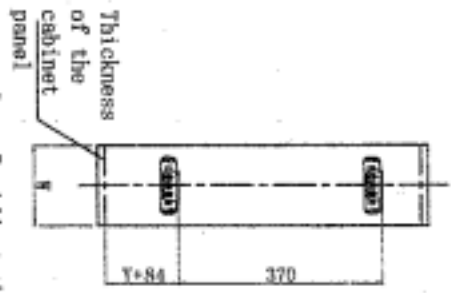
Step 1: Install the slider to the cabinet and fix it by 12pcs ST4*16 screw.



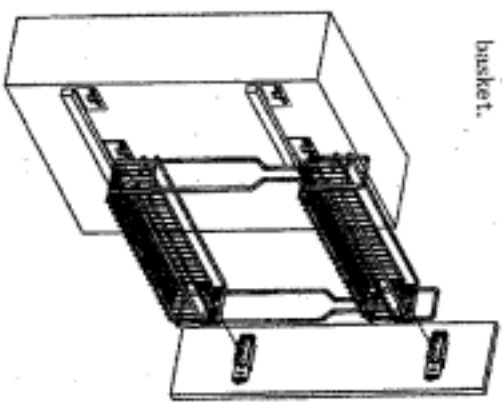
Step 2: Install the basket to the slider.



Step 3: Install the door fixing.



Step 4: Connect the door and basket.



Step 5: Adjust the door.

Attn: Loosen B before adjust A. And fix it after adjustment

